
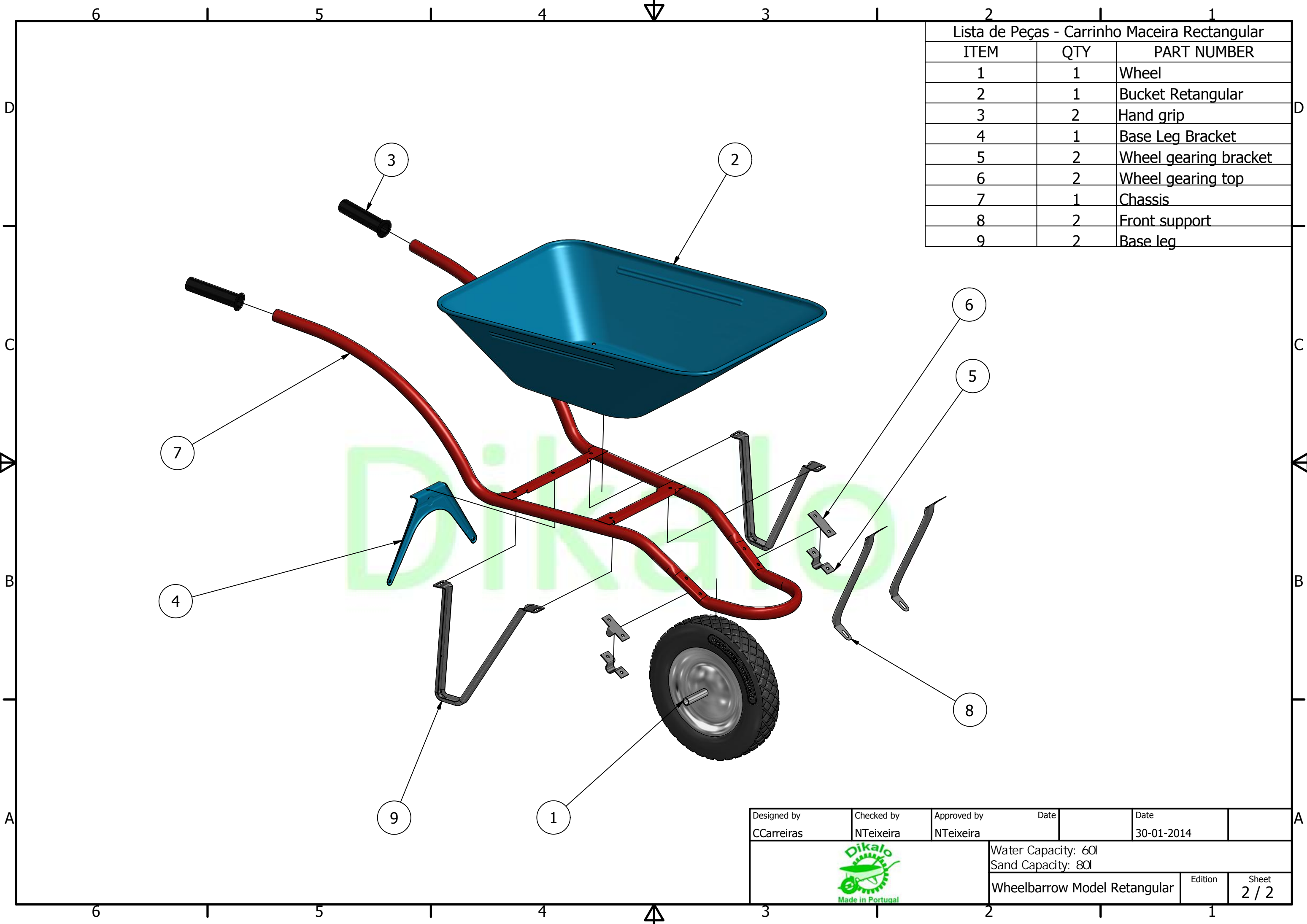


Designed by CCarreiras	Checked by NTeixeira	Approved by NTeixeira	Date	Date 30-01-2014	
		Water Capacity: 60l			
		Sand Capacity: 80l			
Wheelbarrow Model Retangular			Edition	Sheet 1 / 2	



Lista de Peças - Carrinho Maceira Rectangular		
ITEM	QTY	PART NUMBER
1	1	Wheel
2	1	Bucket Retangular
3	2	Hand grip
4	1	Base Leg Bracket
5	2	Wheel gearing bracket
6	2	Wheel gearing top
7	1	Chassis
8	2	Front support
9	2	Base leg

Designed by CCarreiras	Checked by NTeixeira	Approved by NTeixeira	Date	Date 30-01-2014
		Water Capacity: 60l		
		Sand Capacity: 80l		
Wheelbarrow Model Retangular			Edition	Sheet 2 / 2